

ARITERM PELLET SYSTEM

ARITERM

For a sustainable future

■ PELLET BOILER BioComp60i



■ Ariterm BioComp60i

– next generation in an easy-to-use and compact format

Ariterm BioComp60i is a complete pellet boiler for those who require an output exceeding that of a normal domestic boiler. BioComp60i allows continuous operation up to the boiler's rated output, which makes it an excellent product for those with high continuous output requirements. With integrated tap water production and small footprint installation possibilities, the BioComp60i is a cost-effective alternative.

With *i*-control Ariterm BioComp60i also offer great user friendliness, superior control possibilities as well as allowing improved installer support.

The *i* in Ariterm BioComp60i stands for:

*i*NTELLIGENT: Self-regulating Lambda based control adjusting the combustion as it operates.

*i*NTERNET CONNECTIVITY: Connect to internet via cable or local Wi-Fi-network and monitor performance, set temperatures etc. from a distance via PC's, Tablets, iPads, Androids, or iPhones.

*i*NFORMATIViNFORMATIVE: Easy to use new graphical interface, collect performance data, generate messages of status reports, alarms etc.

*i*NTEGRATED: DHW exchanger included.

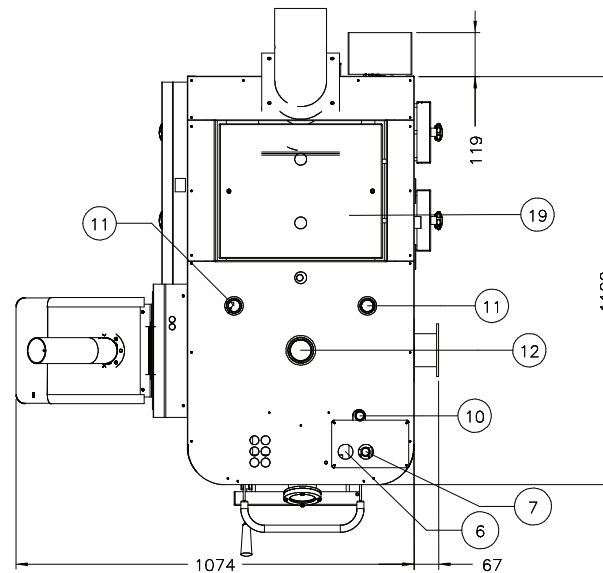
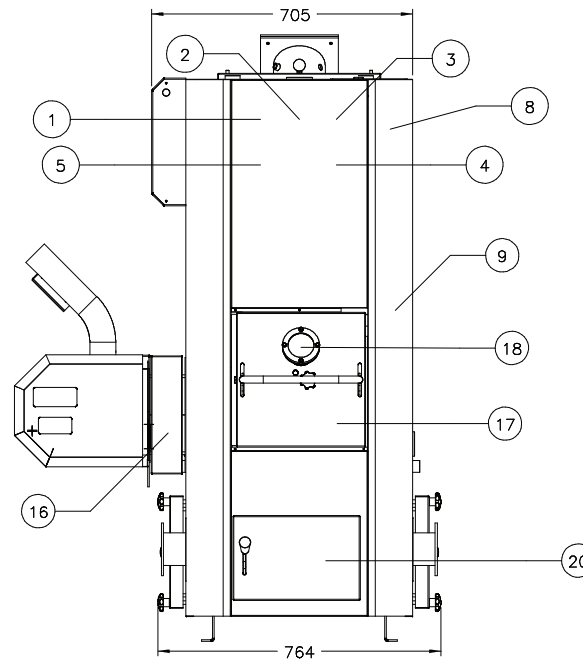
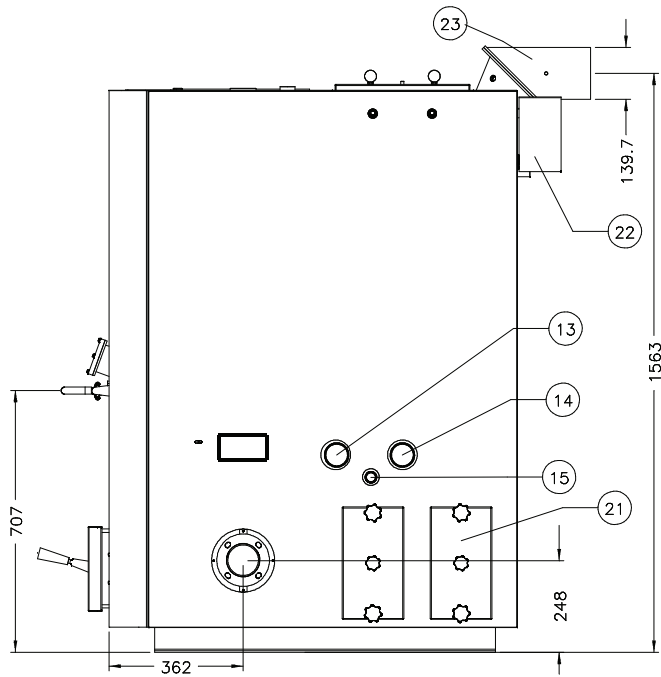
Ariterm BioComp60i has a modern design and fitted with our renowned safe and reliable pellet boiler PX52 they offer a class leading comfort, environmental performance and efficiency. BioComp60i is available as a right or left-hand model, i.e. with the burner hatch on one side. All boilers have a large ash space that is easily accessed from the front hatch. In addition, an immersion heater can be fitted to the boiler. Automatic convection cleaning, large ash bin and easily accessible burner facilitates inspection and maintenance. Naturally Ariterm BioComp60i meet stringent European Standards since designed and manufactured to meet the requirements of the tough Nordic climate.

Integrated with the Ariterm Feedo feeding system, the Ariterm Depo bulk silo or with the Ariterm 450l close coupled storage the Ariterm BioComp60i becomes a complete heating system, from one supplier.

ARITERM AB

Flottiljvägen 15, SE-392 41 Kalmar

www.ariterm.se



BioComp60i		
Max. output pellets	kW	60
Water volume boiler	liter	175
Max. operating pressure	bar	3,0
Max. operating temperature	°C	110
Efficiency level	%	93
Weight (gross)	kg	495
Rec. chimney diameter	mm	150
Rec. chimney height	m	5
Energy Class		A+
EEl		118
ηs		81

Included in the delivery::

- Sweeping tool
- Silt filter
- Masonry support
- Flue
- Flue gas fan
- Automatic control for convection cleaning/ash removal

Accessories:

- Combination flue - part no. 5208
- Mixing valve for hot water VTA323 - part no. 4322
- Shunt valve VRG133 Cu 22 - part no. 4321
- Wireless Shunt regulation CRB122 - part no. 4319
- Immersion heater incl. control - part no. 5749

1. Spare DN15
2. Submersible tube burner sensor and overheat protection
3. Spare DN15
4. Combustion chamber DN 20
5. Combustion chamber DN 15
6. Incoming cold water Ø 22 mm Cu
7. Hot tap water Ø 22 mm Cu
8. Heat exchanger tap water
9. Pump to tap water exchanger
10. Bleed valve tap water exchanger
11. Expansion/safety valve DN 25
12. Supply DN 50
13. Immersion heater socket DN 50
14. Return DN 50
15. Draining DN 20
16. Burner opening, right or left side
17. Service hatch
18. Sight glass
19. Soot cabinet with convection cleaning
20. Ash hatch
21. Cleaning hatches
22. Convection cleaning motor
23. Flue Ø 139 mm